

Part number



CHV 24 L



Brief description:

hoods for single lever, size "104.27", top entry, Pg21, metal version, IP66

Product description	
Version	metal version
Series	hoods for single lever
Product type	with 2 pegs
Variant	top entry
Family	CLASS enclosures
Size	size "104.27"
Technical data	
Material	metal
IP degree of protection	IP66 (and IP69K DIN 40050 - 9)
Cable entry	Pg21
Further technical details	
Weight	174,00 g

Approvals / Standards	
Quality mark	 (type:4/4X/12),  , EAC
Conformity	CQC, CE
General ordering information	
EAN13 code	8015747024730
Tariff number	85369095
Packaging Information	
Packaging length	140,00 mm
Packaging height	130,00 mm
Packaging width	225,00 mm
Packaging weight	2,00 kg
Packaging volume	4,10 dm ³
Packaging description	Carton box
Packaging quantity	10 Pcs
Packaging EAN code	8015747024747
Sub-packaging weight	1,00 kg
Sub-packaging description	Plastic packaging
Sub-packaging quantity	5 Pcs
Sub-packaging EAN barcode	8015747024754

Part number

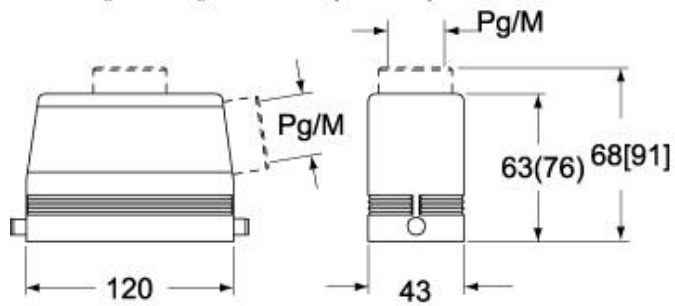
CHV 24 L



Catalogue drawings

CHO L (CAO L) - MHO L [MAO L]

CHV L [CAV L] - MHV L (MAV L)



CHV LG (CAV LG), MHV LG (MAV LG) [MFV LG]

